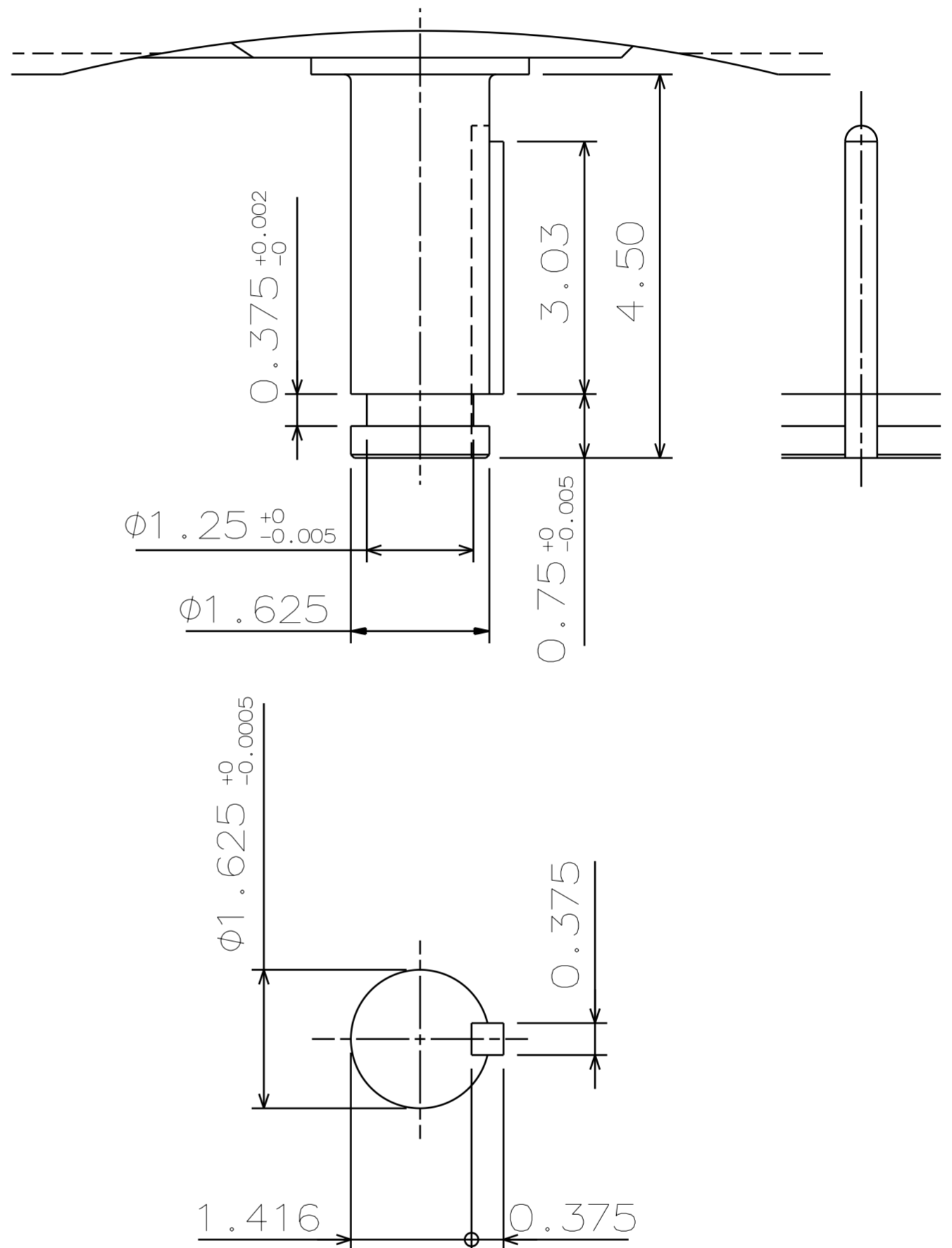
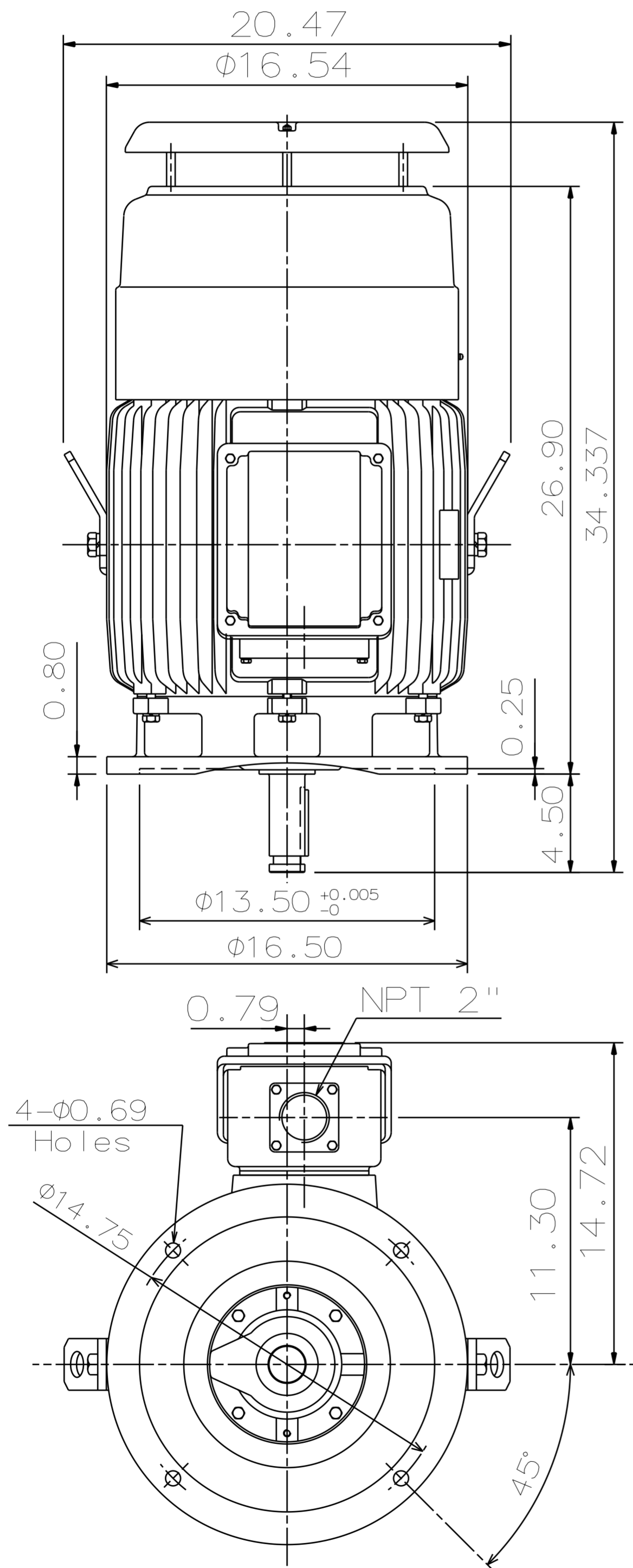


CATALOG NUMBER: VSTP0404		OUTLINE DIMENSIONS 3-PHASE INDUCTION MOTOR		MOTOR TYPE: AEEHED	
DATE SEP-29-2017				FRAME NO. 324VP	

Pole	HP	kW	Hz	VOLT	Syn. Speed r/min (rpm)
4	40	30	60	230/460	1800

Ins	Rating	Dimension in	Approx Weight	Bearings	
F	CONT.	inches	720 LBS	DE: 6312C3	NDE: 7315B

Totally Enclosed Fan-Cooled Vertical Type. Squirrel-cage Rotor.



NOTE:

1. CLASS F INSULATION, S.F.: 1.15
2. FOR DIRECT COUPLING.
3. ROTATION: CCW [VIEW FROM TOP].
4. WITH NON-REVERSE RATCHET MECHANISM.
5. DOWNTHRUST: 4500 LBS (L10-8800HRS)
6. SPACE HEATER RATED AT 120 VOLT, SINGLE PHASE, 109 WATTS, LEADS TERMINATE IN MAIN LEAD BOX.

□			
---	--	--	--

DWN.	K.L.KUO	09.30.08	TECO Westinghouse	DWG NO.	31057H416220
CHKD.	K.L.KUO	10.06.08			
APPD.	M.C.TSAI	10.06.08			